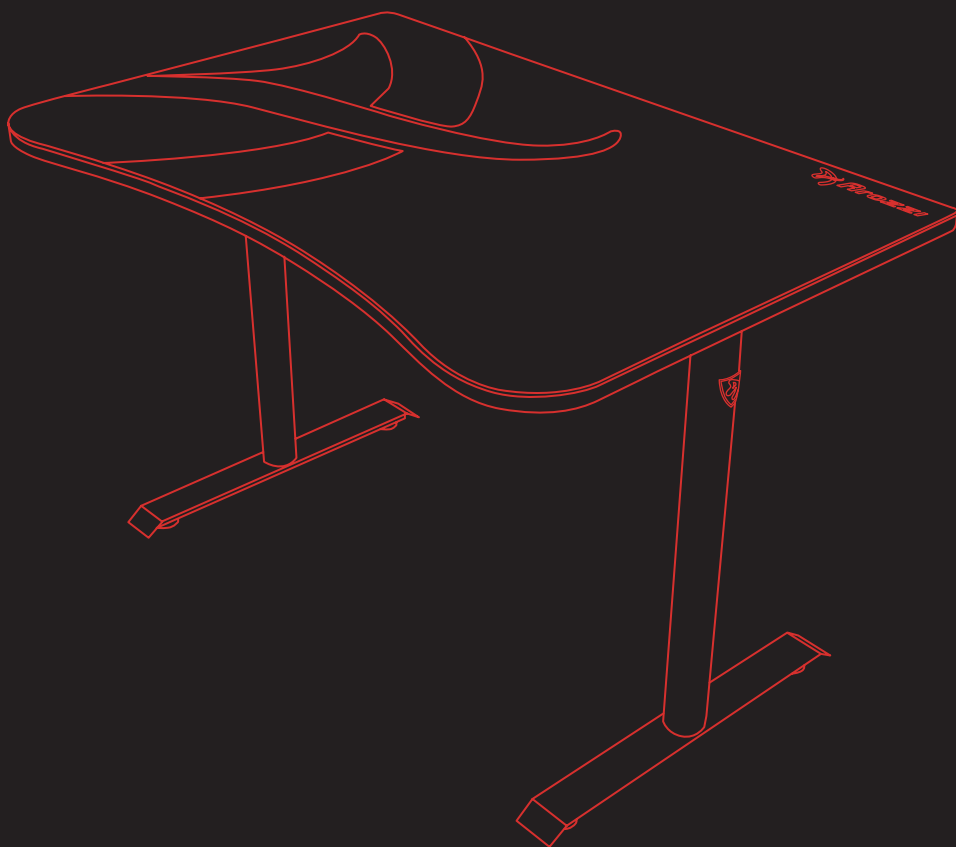
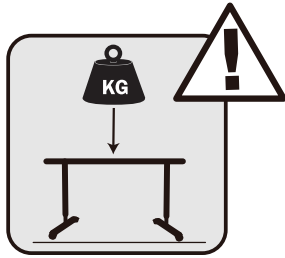
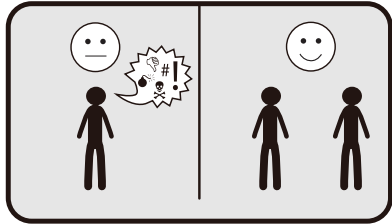
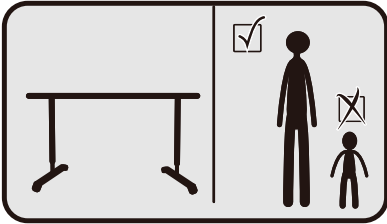
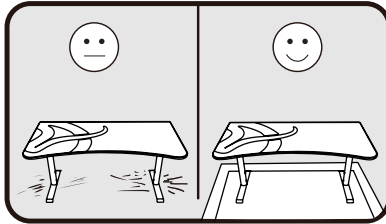


ASSEMBLY GUIDE

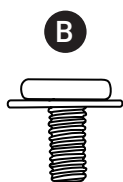
ARENA FRATELLO







X8



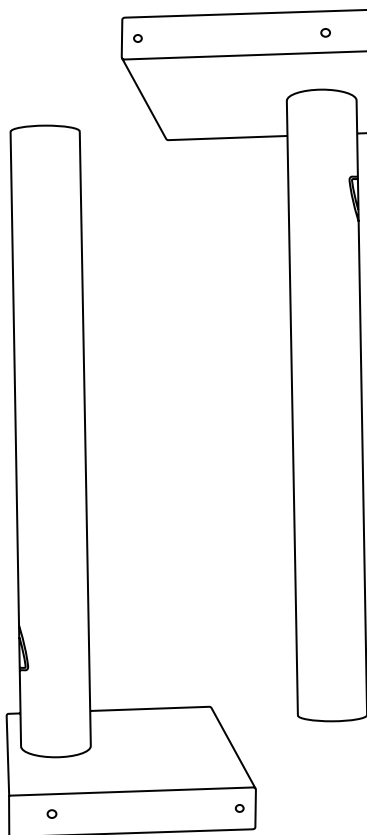
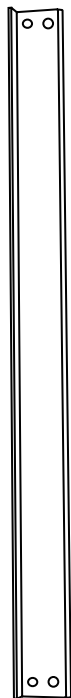
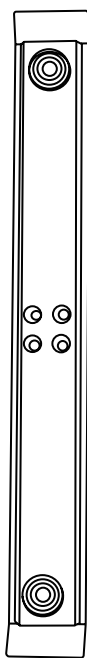
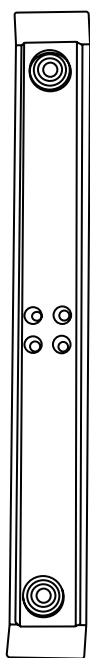
X8

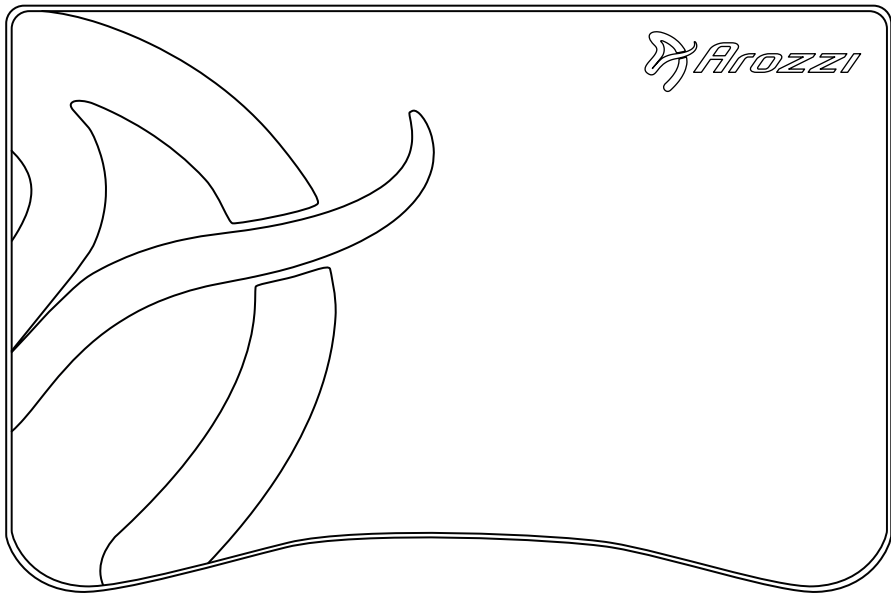
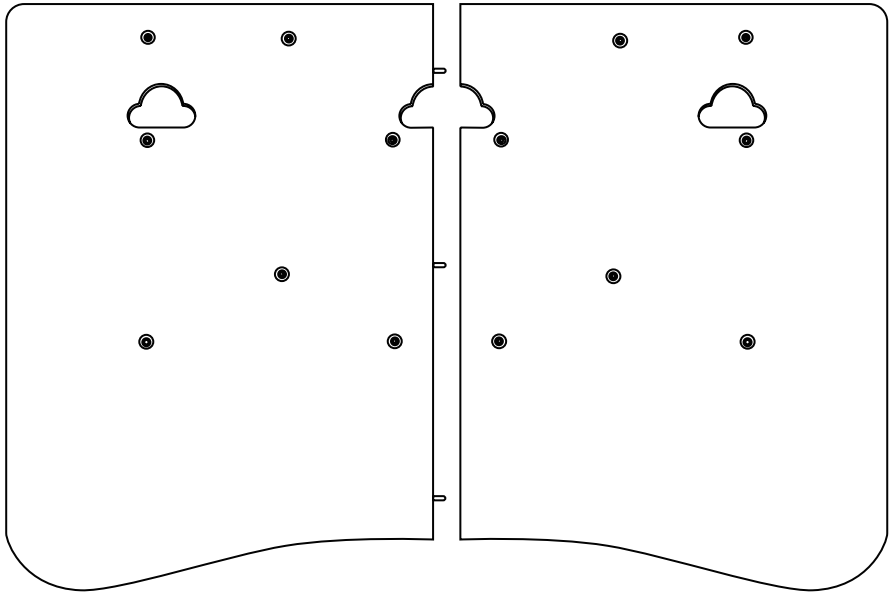


X8

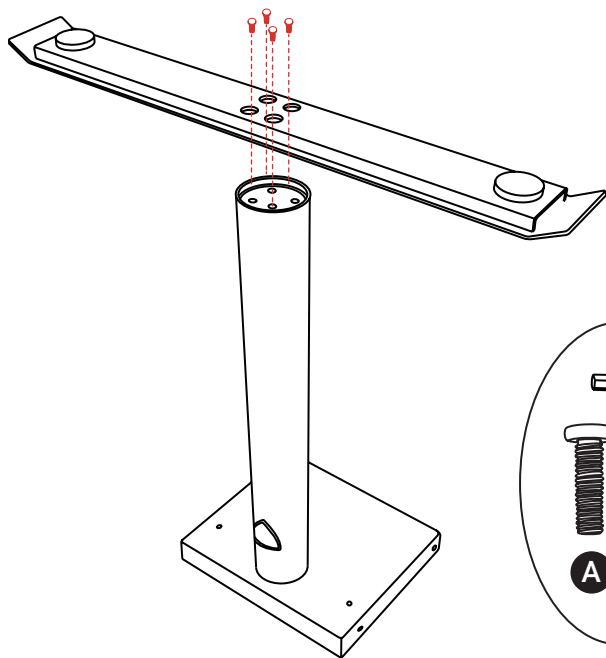


X8

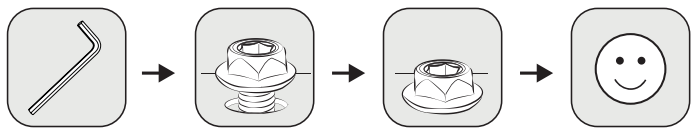
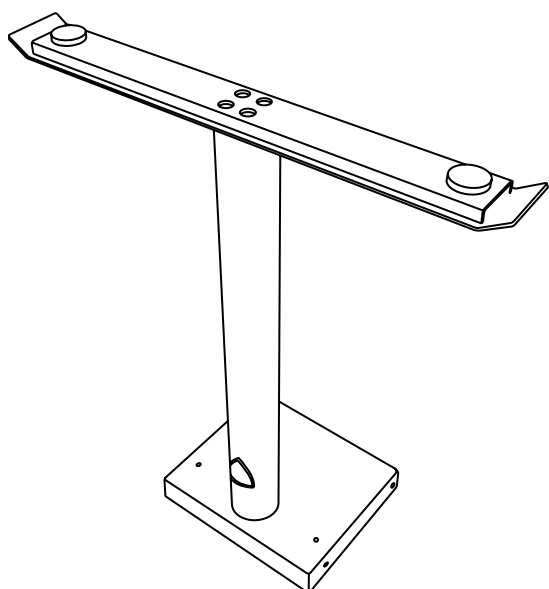




1



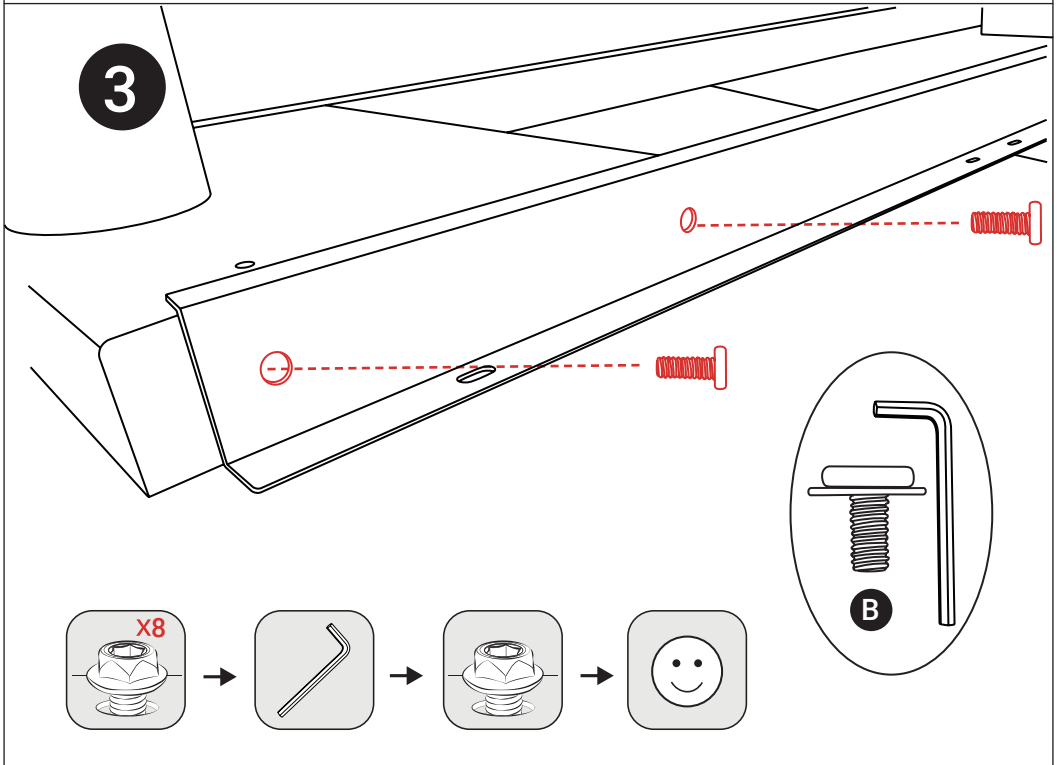
2



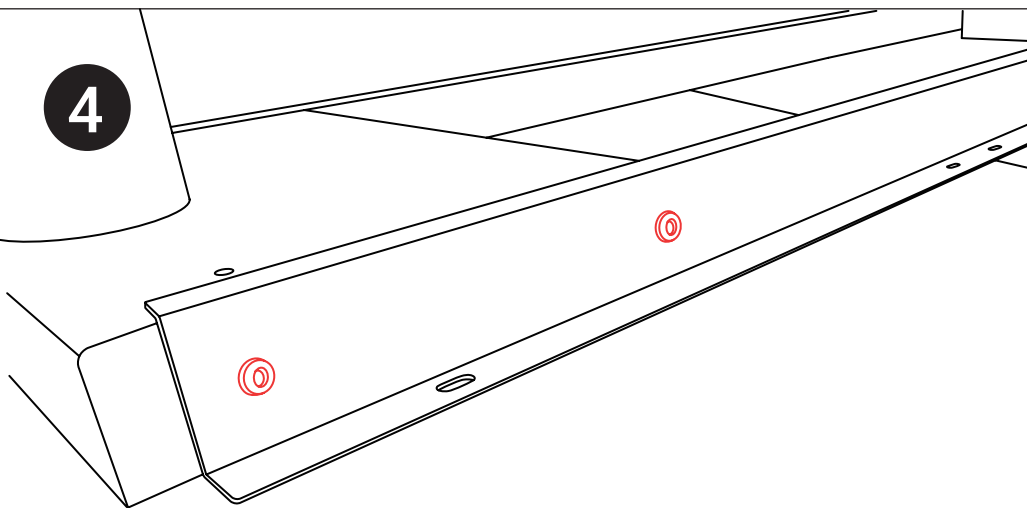


ATTENTION!

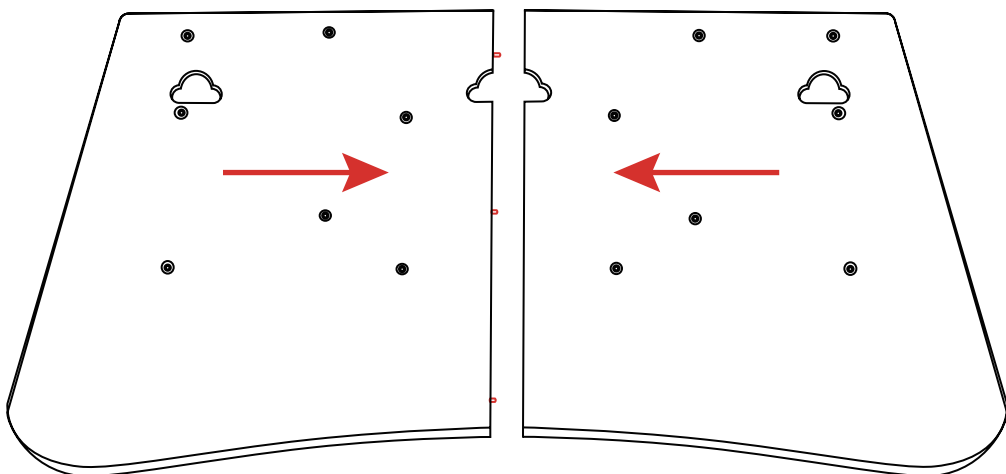
Do not fully screw in the bolts until **step 10**. For more details, look at the video:



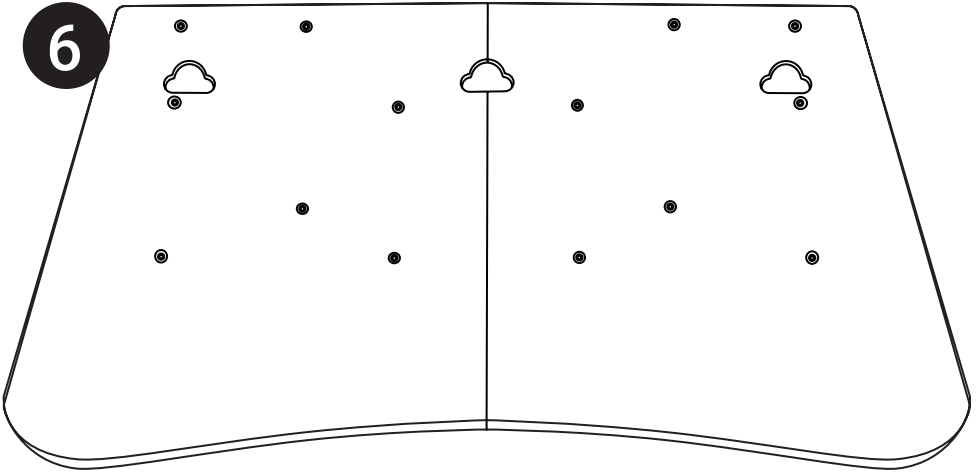
4



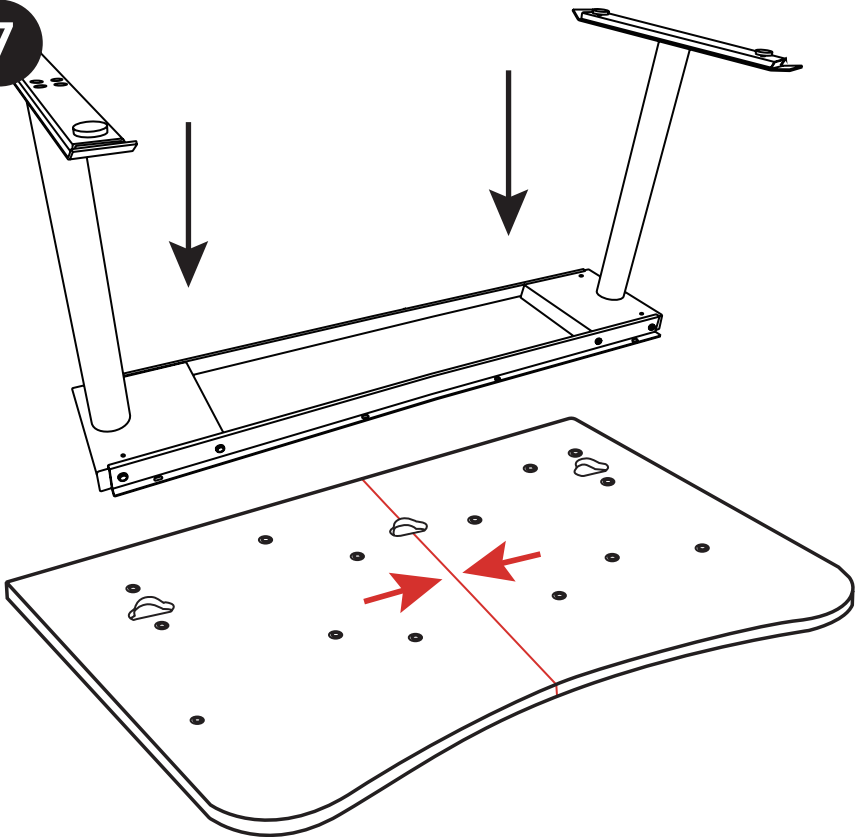
5

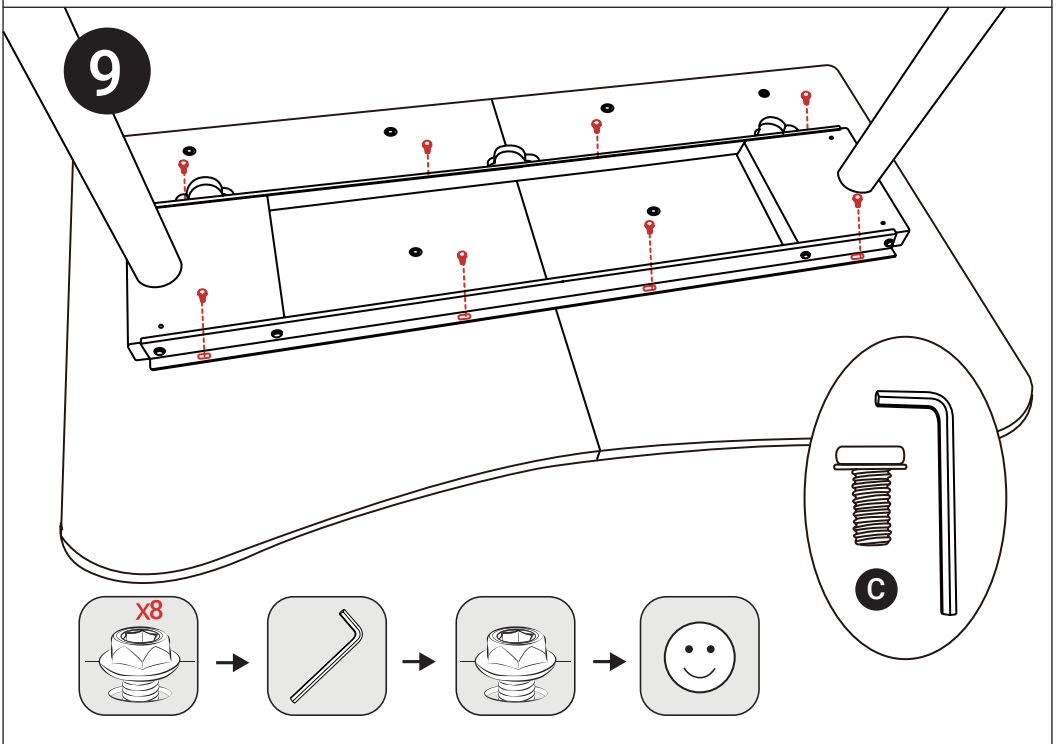
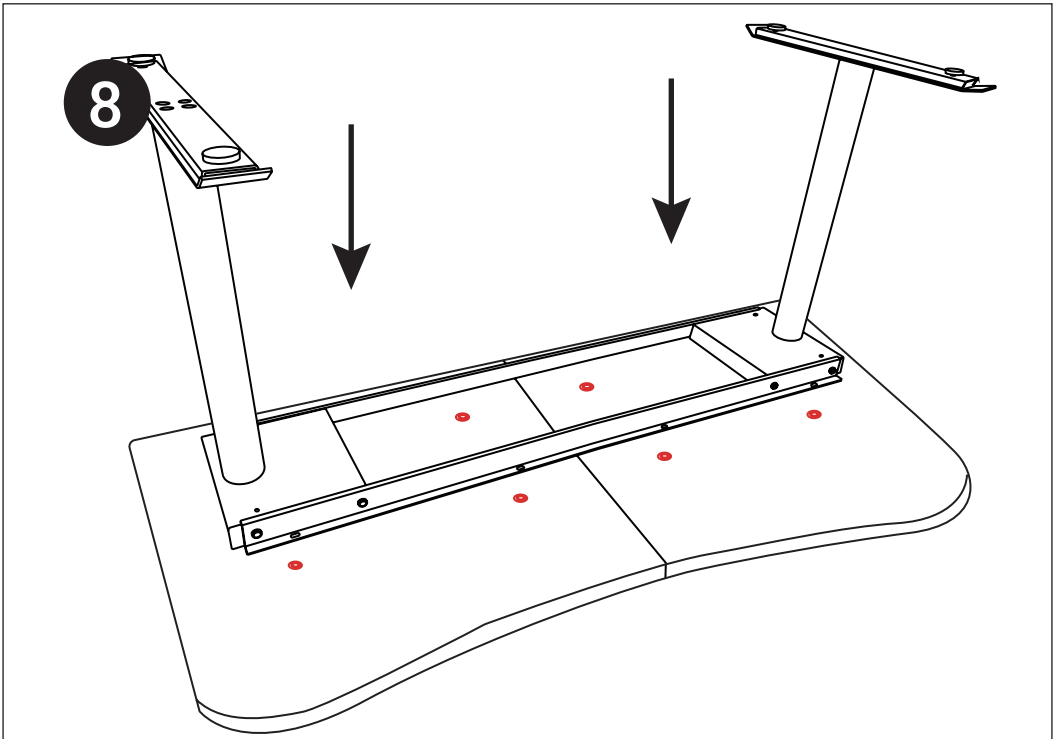


6

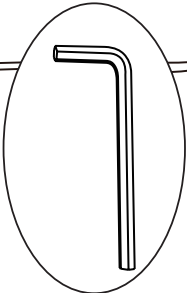
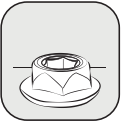


7

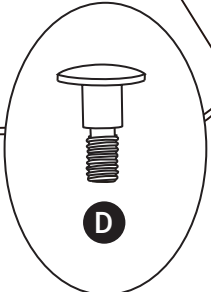
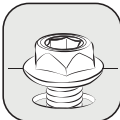




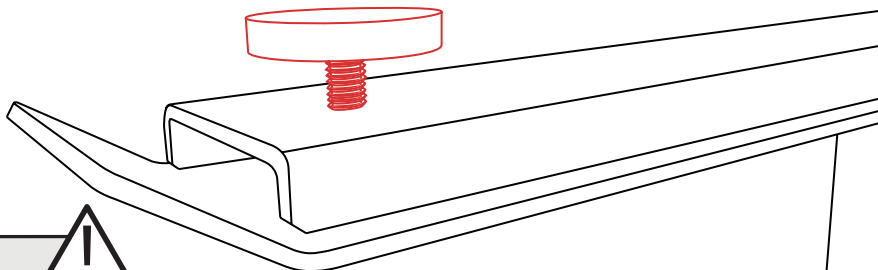
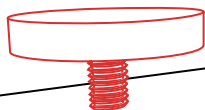
10



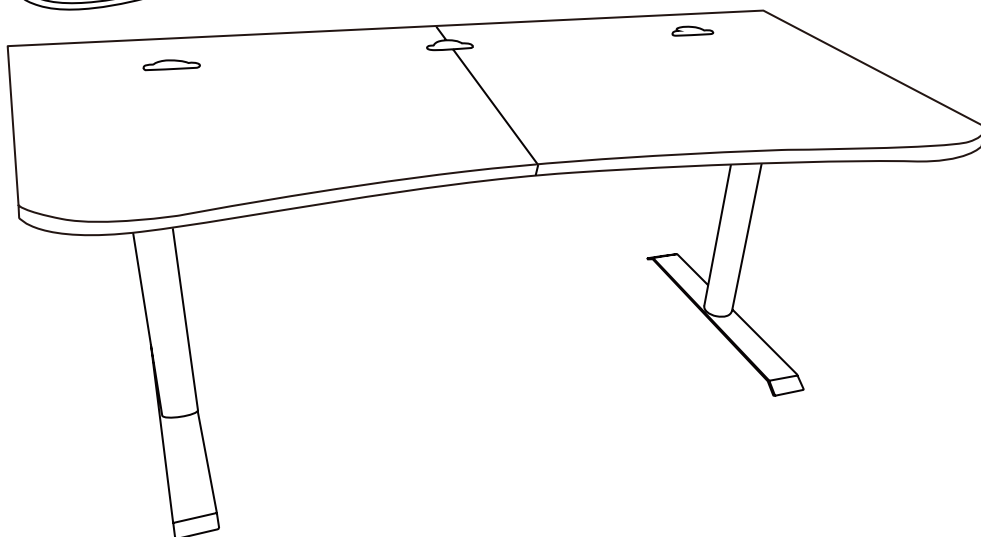
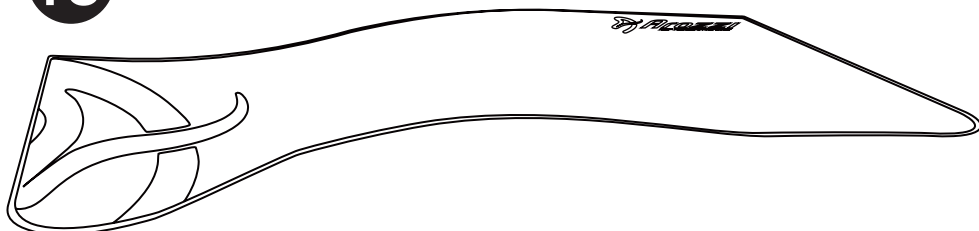
11

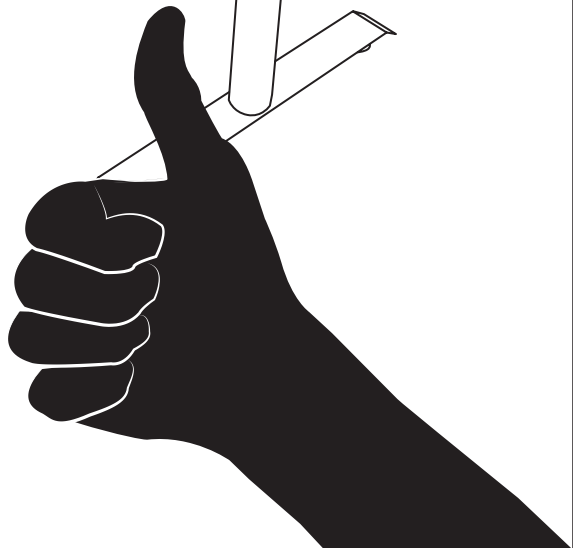
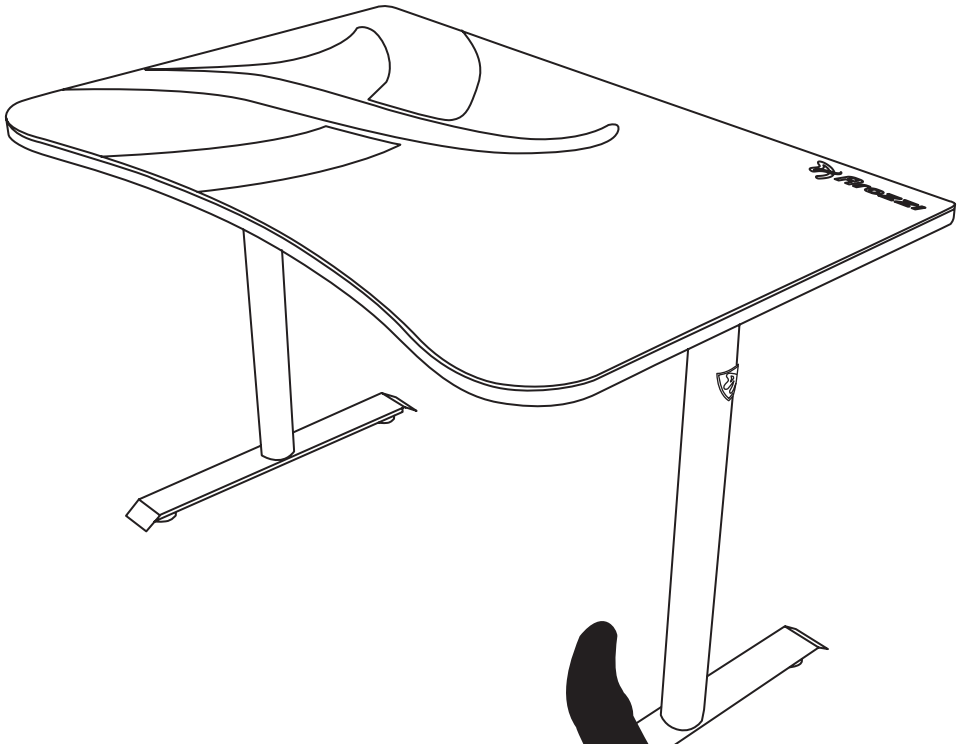


12



13









www.arozzi.se

| www.arozzi.com